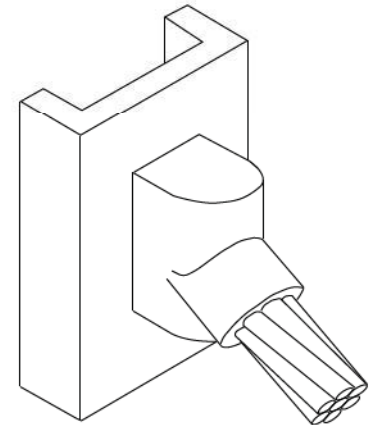
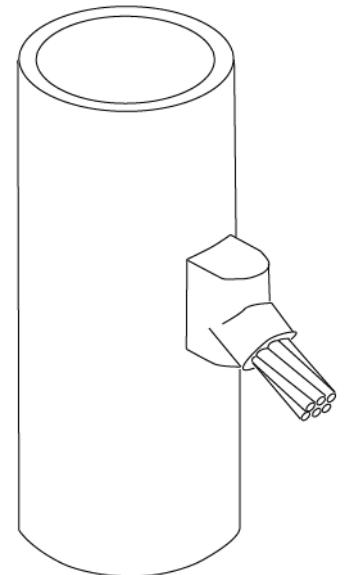


Tap conductor to vertical STEEL pipe or flat surface.
NOTE: For DUCTILE IRON, see page 17.

Conductor Size	Surface	Welder Part No.†	Welder Price	Weld Metal
#14 to #10 Solid (use sleeve CAB-133-1H)* or #8 Solid or Stranded, or #6 Solid	Flat (12" & larger pipe)	CAVST-1G	CAT	CA15
	3/4" to 3-1/2" pipe	CAVST-1GA	CAT	CA15
	4" to 10" pipe	CAVST-1GB	CAT	CA15
6 Stranded	Flat (12" & larger pipe)	CAVST-1H	CAT	CA15
	3/4" to 3-1/2" pipe	CAVST-1HA	CAT	CA15
	4" to 10" pipe	CAVST-1HB	CAT	CA15
4 Solid	Flat (12" & larger pipe)	CAVST-1K	CAT	CA25
	3/4" to 1-1/2" pipe	CAVST-1KA	CAT	CA25
	2" to 4" pipe	CAVST-1KB	CAT	CA25
	5" to 10" pipe	CAVST-1KC	CAT	CA25
4 Stranded	Flat (12" & larger pipe)	CAVST-1L	CAT	CA25
	3/4" to 1-1/2" pipe	CAVST-1LA	CAT	CA25
	2" to 4" pipe	CAVST-1LB	CAT	CA25
	5" to 10" pipe	CAVST-1LC	CAT	CA25
2 Solid	Flat (14" & larger pipe)	CAVST-1T	CAT	CA25
	1" to 1-1/2" pipe	CAVST-1TA	CAT	CA25
	2" to 4" pipe	CAVST-1TB	CAT	CA25
	5" to 12" pipe	CAVST-1TC	CAT	CA25
2 Stranded	Flat (14" & larger pipe)	CAVST-1V	CAT	CA32
	1" to 1-1/2" pipe	CAVST-1VA	CAT	CA32
	2" to 3" pipe	CAVST-1VB	CAT	CA32
	4" to 6" pipe	CAVST-1VC	CAT	CA32
	8" to 12" pipe	CAVST-1VD	CAT	CA32
1 Stranded	Flat (18" & larger pipe)	CAVSP-1Y	CAP	CA45
	1-1/2" to 2-1/2" pipe	CAVSP-1YA	CAP	CA45
	3" to 4" pipe	CAVSP-1YB	CAP	CA45
	5" to 10" pipe	CAVSP-1YC	CAP	CA45
	12" to 16" pipe	CAVSP-1YD	CAP	CA45
1/0 Stranded	Flat (18" & larger pipe)	CAVSP-2C	CAP	CA65
	2-1/2" to 4" pipe	CAVSP-2CA	CAP	CA65
	5" to 10" pipe	CAVSP-2CB	CAP	CA65
	12" to 16" pipe	CAVSP-2CC	CAP	CA65
2/0 Stranded	Flat (18" & larger pipe)	CAVSP-2G	CAP	CA65
	3" to 4" pipe	CAVSP-2GA	CAP	CA65
	5" to 10" pipe	CAVSP-2GB	CAP	CA65
	12" to 16" pipe	CAVSP-2GC	CAP	CA65



CAVS



CAVS – Cable on surface

* 1 sleeve per connection.

† Welder Part No. includes mold frame. If mold only (less frame) is required, order - Welder Part No. - "M".